

ATLITE



AN Specification

Steel Specification
Grade
Emergency Unit
Incandescent Lamps

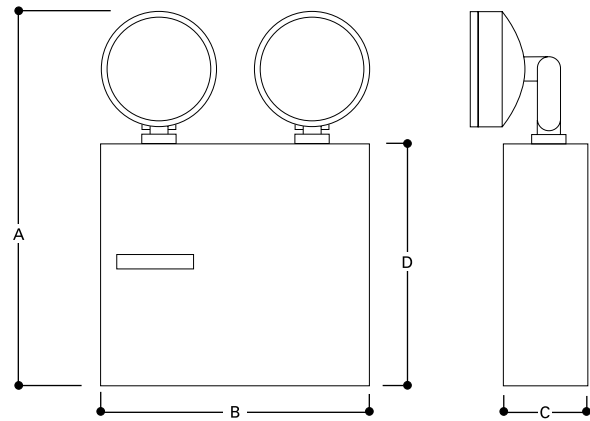
EMERGENCY LIGHTING

- Dual 120/277VAC 60Hz input
- Solid state charger and transfer circuitry (no relays or fuses)
- Momentary test switch; circuit is battery short circuit protected
- Brown out protection, low voltage disconnect
- 6 or 12 volt long life, maintenance-free, sealed nickel cadmium battery
- Meets or exceeds all current UL 924 requirements, and applicable sections of the Life Safety Code
- Standard finish, durable white powder coat.
- Steel units fabricated of 20 gauge steel
- Conduit knockouts and rear keyhole mounting knockouts provided
- Local 3 IBEW

DESCRIPTION

The AN Specification Series meets the standards of architectural requirements while providing many options and accessories to customize any installation.

DIMENSIONS



	A	B	C	D
6AN25	13 3/4" (349mm)	10" (254mm)	3 1/8" (79mm)	9" (229mm)
12AN50	13 3/4" (349mm)	13" (330mm)	3 1/8" (79mm)	9" (229mm)
12AN72	13 3/4" (349mm)	13" (330mm)	4 5/8" (118mm)	9" (229mm)

ORDERING INFORMATION

Catalog No.	Capacity in Watts (Hours)				DC Voltage	Ship Wt.
	1.5	2	3	4		
6AN25	25	20	14	10	6	13
12AN50	50	36	25	18	12	15
12AN72	72	60	50	36	12	22

ACCESSORIES

Description	Code
Cord Sets	
120 Volt	3 CP
277 Volt (Specify male plug type)	0 CP
Mounting Bracket	MB
Mounting Shelf	MS
Wire Guards	GXBW

OPTIONS: Add to Catalog No.

Description	Code
No heads	0
One head	1
Three heads	3
Voltmeter	V
Time Delay	TD
New York City Approved	NY
Laser Option Installed	L*
Laser Option installed with pointer supplied	LP*

* See page 40 for time delay selection.